



## MC4560

## LINEAR INTEGRATED CIRCUIT

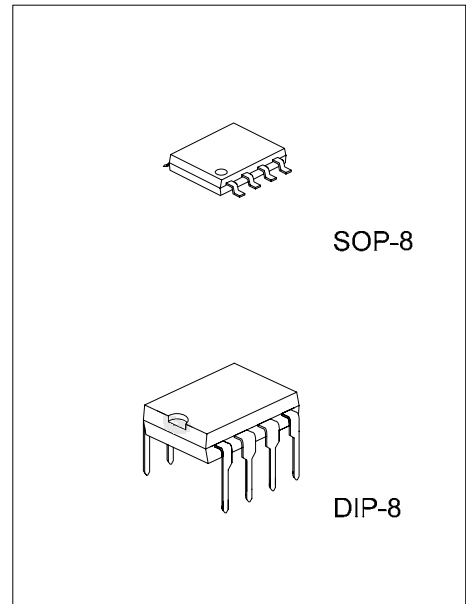
### DUAL OPERATIONAL AMPLIFIER

#### DESCRIPTION

The UTC **MC4560** is a dual operational amplifier suitable for driving 20V peak-to-peak into 400Ω loads. It offer many features which provide the capability of wider bandwidth, and higher slew rate to make it ideal for active filters, data and telecommunications, and many instrumentation applications.

#### FEATURES

- \*Operating Voltage                   (±4V~±18V)
- \*Wide Gain Bandwidth Product. (10MHz typ.)
- \*Slew Rate                           (4V / μs typ.)
- \*Bipolar Technology



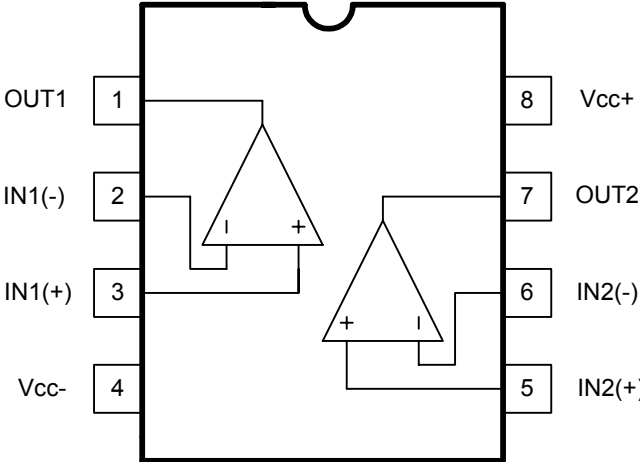
\*Pb-free plating product number: MC4560L

#### ORDERING INFORMATION

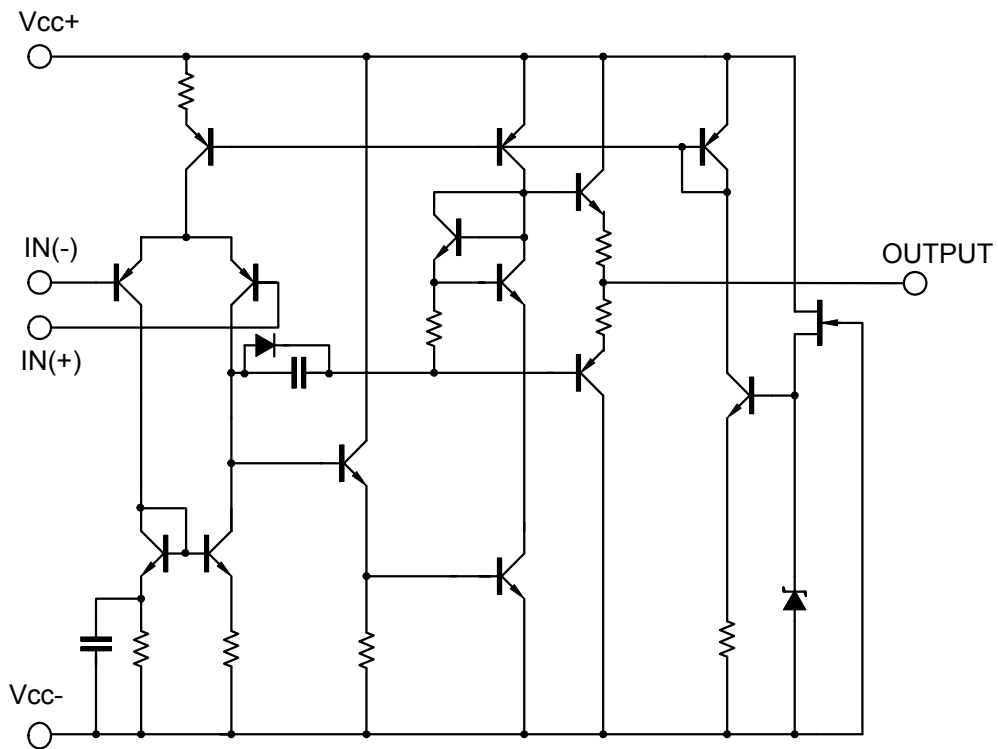
Ordering Number		Package	Packing
Normal	Lead Free Plating		
MC4560-D08-T	MC4560L-D08-T	DIP-8	Tube
MC4560-S08-R	MC4560L-S08-R	SOP-8	Tape Reel
MC4560-S08-T	MC4560L-S08-T	SOP-8	Tube

<p>MC4560L-D08-T</p> <p>(1)Packing Type (2)Package Type (3)Lead Plating</p>	<p>(1) R: Tape Reel, T: Tube (2) D08: DIP-8, S08: SOP-8 (3) L: Lead Free Plating, Blank: Pb/Sn</p>
---	--

■ PIN CONFIGURATION



## ■ BLOCK DIAGRAM



■ ABSOLUTE MAXIMUM RATINGS (Ta=25 )

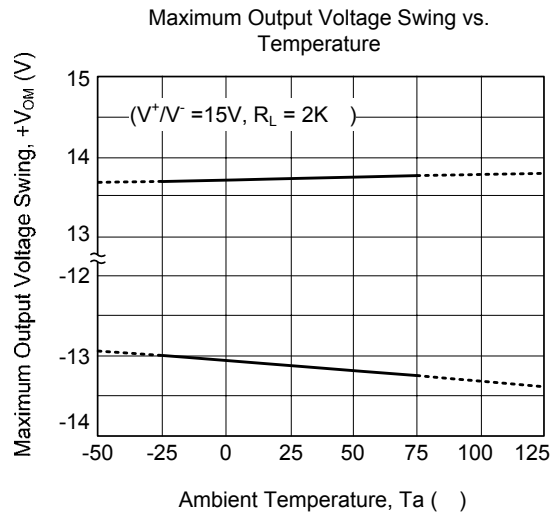
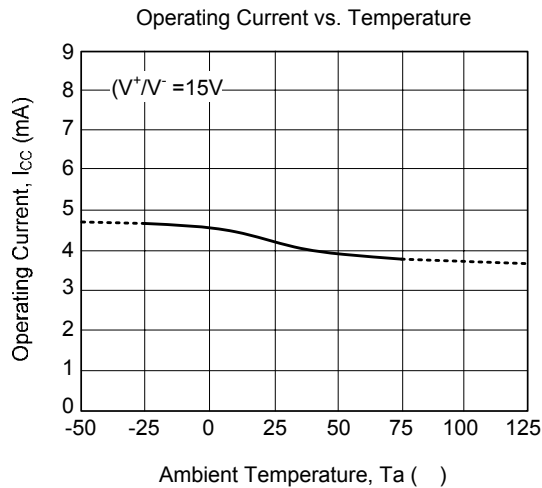
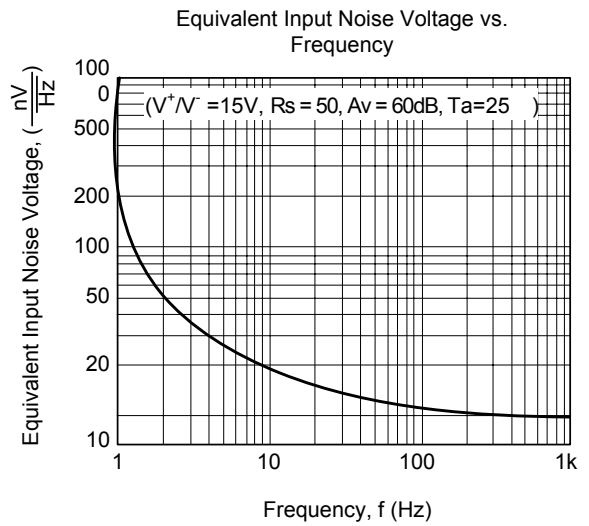
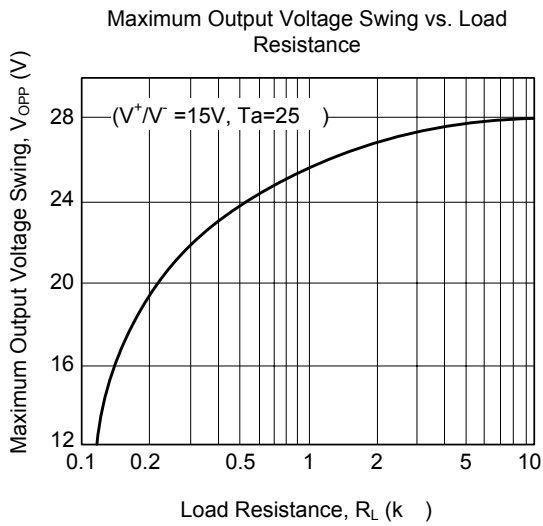
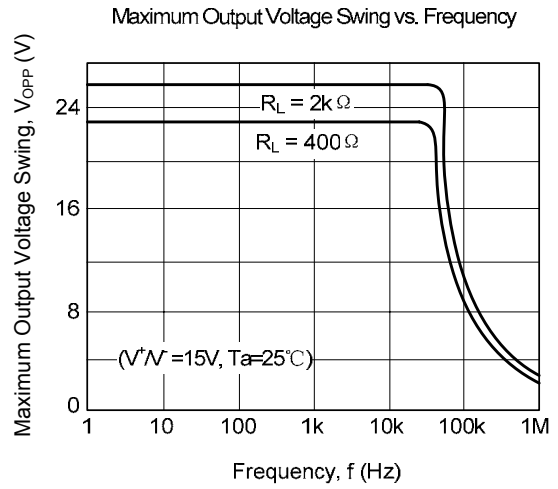
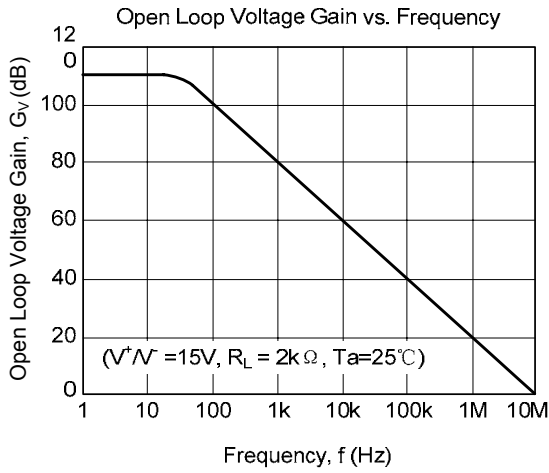
PARAMETER		SYMBOL	RATINGS	UNIT
Supply Voltage		V+/V-	±18	V
Differential Input Voltage		V <sub>I(DIFF)</sub>	±30	V
Input Voltage		V <sub>IN</sub>	±15(Note1)	V
Power Dissipation	DIP-8	P <sub>D</sub>	500	mW
	SOP-8		300	mW
Operating Temperature Range		T <sub>OPR</sub>	-20 ~ +75	°C
Storage Temperature Range		T <sub>STG</sub>	-40 ~ +125	°C

Note: 1. The absolute maximum input voltage is equal to the supply voltage in case supply voltage less than ±15V.  
 2. Absolute maximum ratings are those values beyond which the device could be permanently damaged.  
 Absolute maximum ratings are stress ratings only and functional device operation is not implied.

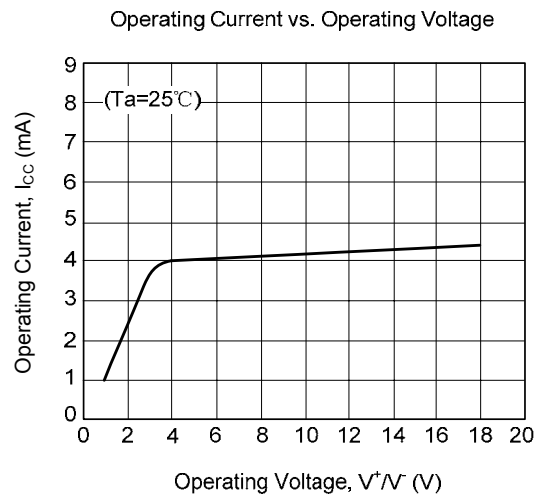
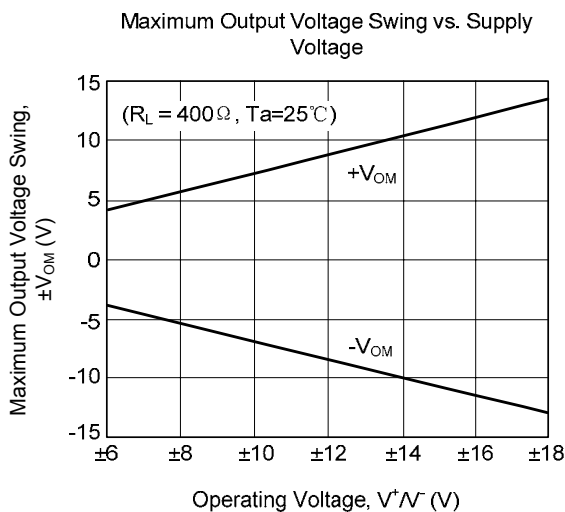
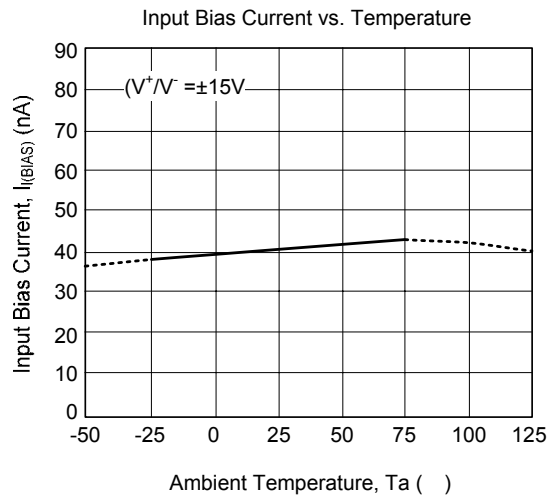
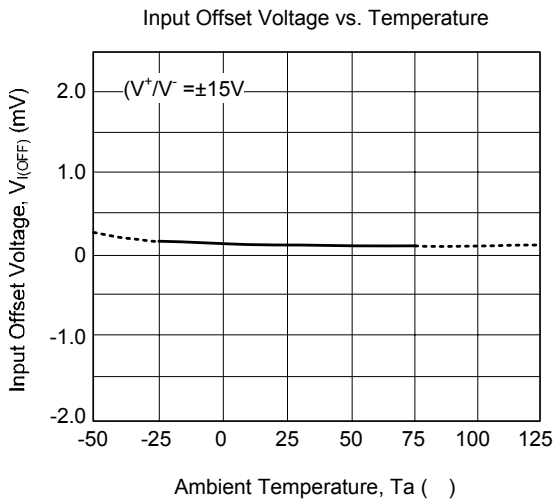
■ ELECTRICAL CHARACTERISTICS (Ta=25°C, V<sup>+</sup>/V<sup>-</sup> =±15V)

PARAMETER	SYMBOL	TEST CONDITIONS	MIN	TYP	MAX	UNIT
Input offset voltage	V <sub>I(OFF)</sub>	R <sub>S</sub> ≤10kΩ		0.5	6	mV
Input offset current	I <sub>I(OFF)</sub>			5	200	nA
Input bias current	I <sub>I(BIAS)</sub>			40	500	nA
Input Resistance	R <sub>IN</sub>		0.3	5		MΩ
Large Signal Voltage Gain	G <sub>V</sub>	R <sub>L</sub> ≥2kΩ, V <sub>OUT</sub> =±10V	86	100		dB
Maximum Output Voltage 1	V <sub>OM1</sub>	R <sub>L</sub> ≥2kΩ	±12	±14		V
Maximum Output Voltage 2	V <sub>OM2</sub>	I <sub>OUT</sub> =25mA	±10	±11.5		V
Input Common Mode Voltage Range	V <sub>ICM</sub>		±12	±14		V
Common Mode Rejection Ratio	CMR	R <sub>S</sub> ≤10kΩ	70	90		dB
Supply Voltage Rejection Ratio	SVR	R <sub>S</sub> ≤10kΩ	76.5	90		dB
Operating Current	I <sub>CC</sub>			4.3	5.7	mA
Slew Rate	SR			4		V/μs
Gain Bandwidth Product	GBP			10		MHz
Equivalent Input Noise Voltage	eN	RIAA, R <sub>S</sub> =2kΩ, 30kHz LPF		1.2		μVrms

## TYPICAL CHARACTERISTICS



■ TYPICAL CHARACTERISTICS(Cont.)



UTC assumes no responsibility for equipment failures that result from using products at values that exceed, even momentarily, rated values (such as maximum ratings, operating condition ranges, or other parameters) listed in products specifications of any and all UTC products described or contained herein. UTC products are not designed for use in life support appliances, devices or systems where malfunction of these products can be reasonably expected to result in personal injury. Reproduction in whole or in part is prohibited without the prior written consent of the copyright owner. The information presented in this document does not form part of any quotation or contract, is believed to be accurate and reliable and may be changed without notice.